



Connettore da fronte pannello

Front panel mounting receptacle

P.N.: SEE RELATED PAGE

N° SPC / SPC N°

1344

PAG. / PAGE

1/3

CODICE / CODE

SEE RELATED PAGE

REV.

04

DEL / OF

21/02/2011

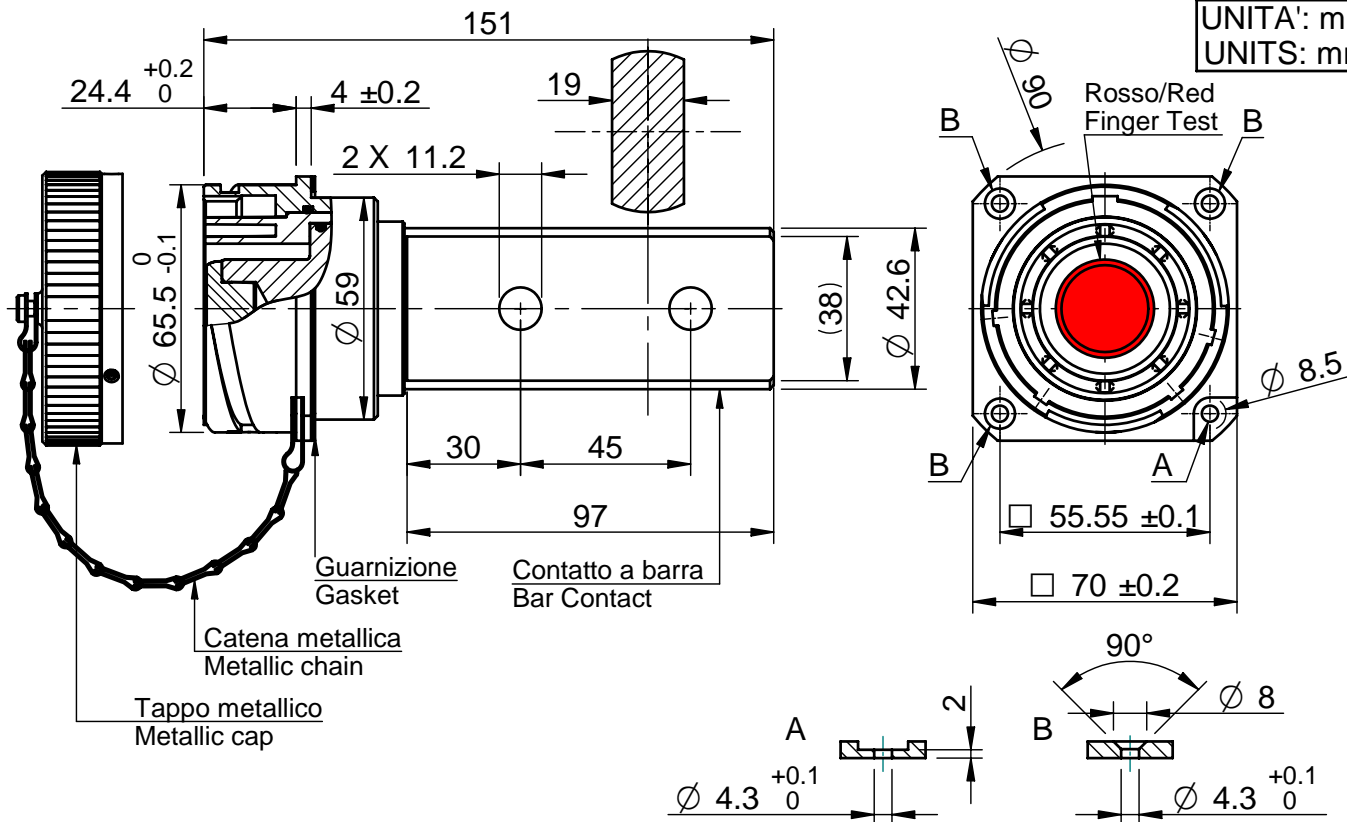
1ª EMISS. / 1st EMISS

29/05/2008

FORM.

A4

THIS COPYRIGHTED DOCUMENT IS THE PROPERTY OF GLENAIR, INC. AND IS FURNISHED ON THE CONDITION THAT IT IS NOT TO BE DISCLOSED, REPRODUCED IN WHOLE OR IN PART, OR USED TO SOLICIT QUOTATIONS FROM COMPETITIVE SOURCES, OR USED FOR MANUFACTURE BY ANYONE OTHER THAN GLENAIR, INC. WITHOUT WRITTEN PERMISSION FROM GLENAIR, INC. THE INFORMATION HEREIN HAS BEEN DEVELOPED AT GLENAIR'S EXPENSE AND MAY BE USED FOR ENGINEERING EVALUATION AND INCORPORATION INTO TECHNICAL SPECIFICATIONS AND OTHER DOCUMENTS WHICH SPECIFY REQUIREMENTS OF PRODUCTS FROM GLENAIR, INC.



UNITA': mm  
UNITS: mm

### 1) CARATTERIZZAZIONE

- connettore fisso unipolare da fronte pannello, ad alta portata, con attacco rapido a baionetta.
- contatto con terminale a barra

### 2) CARATTERISTICHE TECNICHE

- configurazione: unipolare
- contatti: 1 contatto maschio a barra, con finger test
- tensione di lavoro: 1'800 Vcc
- tensione di prova: 5'000 Vca 50 Hz - 60 sec
- portata massima: 800 A a 20°C
- temperatura di esercizio: (-40 ÷ +100)°C
- tenuta ambientale (connettore accoppiato): IP 67

### 3) MATERIALI E TRATTAMENTI PROTETTIVI

Contatti:

- lega di rame
- trattamento di argentatura (G10)

Inserti:

- resina termoplastica (UL 94: V0 NFF 16-102: I2F3 esigenza 3)

Guarnizioni:

- gomma neoprene

Parti metalliche:

- lega di alluminio
- elettrodeposizione di vernice nera (F6)
- ossidazione anodica (G14)

### 1) KIND OF CONNECTOR

- single pole front panel mounting receptacle, high current rating, with rapid bayonet joint.
- contact with bar type rear termination

### 2) TECHNICAL CHARACTERISTICS

- arrangement: single pole
- contacts: 1 pin bar contact, with finger test
- working voltage: 1'800 Vdc
- test voltage: 5'000 Vac RMS at 50 Hz 60 sec
- max. current rating: 800 A at 20°C
- working temperature: (-40 ÷ +100)°C
- IP rating (coupled connector): IP 67

### 3) MATERIAL AND FINISH

Contacts:

- copper alloy
- silver plating (G10)

Inserts:

- thermoplastic resin (UL 94: V0 NFF 16-102: I2F3 exigence 3)

Gaskets:

- neoprene rubber

Metallic parts:

- aluminium alloy
- electrodeposition of black paint (F6)
- anodizing (G14)

COMPILATO / DONE

Firma *Zanetti* Data 21/02/2011

CONTROLLATO / CHECKED

Firma *Stefano Vettori* Data 21/02/2011

APPROVATO / APPROVED

Firma \_\_\_\_\_ Data 21/02/2011



Connettore da fronte pannello

Front panel mounting receptacle

P.N.: SEE RELATED PAGE

N° SPC / SPC N°

1344

PAG. / PAGE

2/3

CODICE / CODE

SEE RELATED PAGE

REV.

04

DEL / OF

21/02/2011

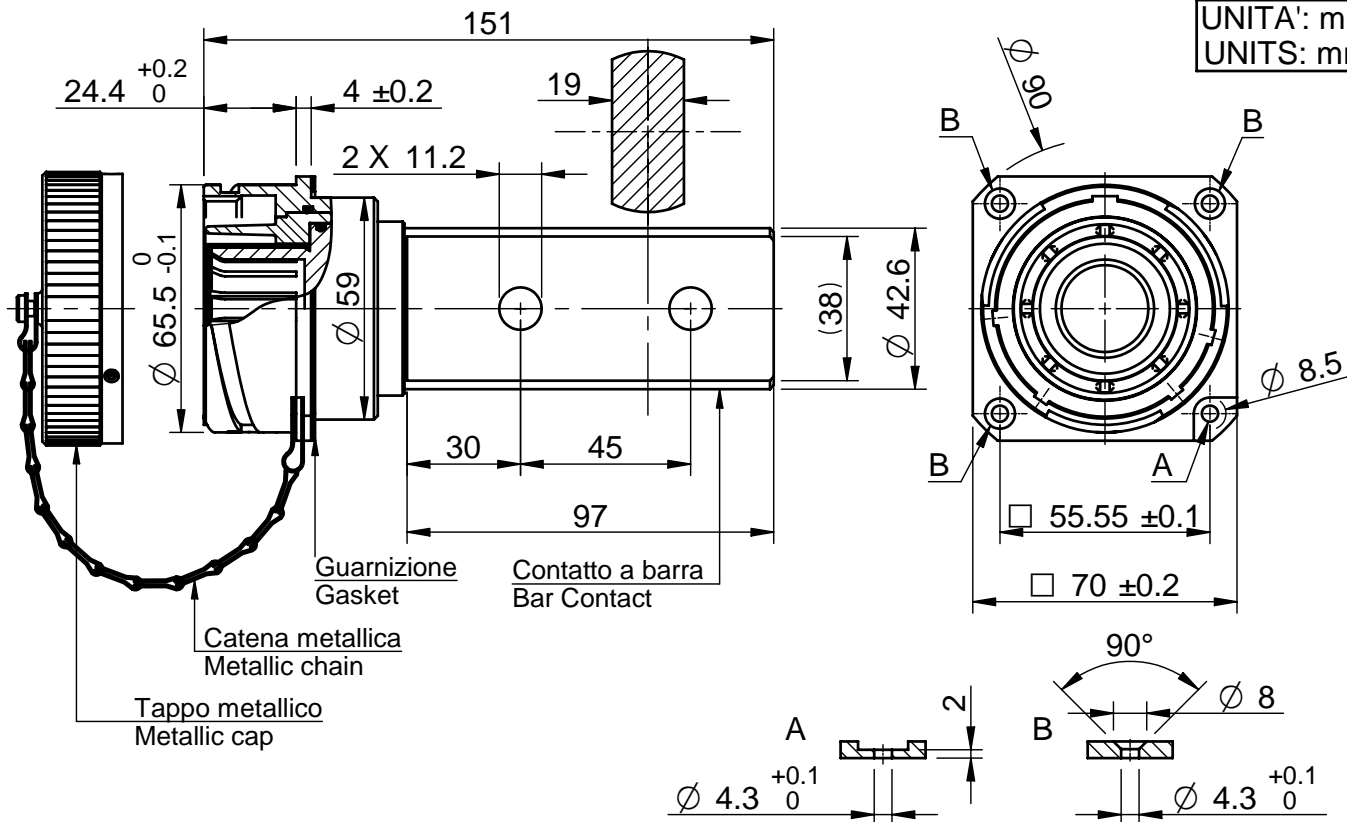
1ª EMISS. / 1st EMISS

29/05/2008

FORM.

A4

THIS COPYRIGHTED DOCUMENT IS THE PROPERTY OF GLENAIR, INC. AND IS FURNISHED ON THE CONDITION THAT IT IS NOT TO BE DISCLOSED, REPRODUCED IN WHOLE OR IN PART, OR USED TO SOLICIT QUOTATIONS FROM COMPETITIVE SOURCES, OR USED FOR MANUFACTURE BY ANYONE OTHER THAN GLENAIR, INC. WITHOUT WRITTEN PERMISSION FROM GLENAIR, INC. THE INFORMATION HEREIN HAS BEEN DEVELOPED AT GLENAIR'S EXPENSE AND MAY BE USED FOR ENGINEERING EVALUATION AND INCORPORATION INTO TECHNICAL SPECIFICATIONS AND OTHER DOCUMENTS WHICH SPECIFY REQUIREMENTS OF PRODUCTS FROM GLENAIR, INC.



**1) CARATTERIZZAZIONE**

- connettore fisso unipolare da fronte pannello, ad alta portata, con attacco rapido a baionetta.
- contatto con terminale a barra

**2) CARATTERISTICHE TECNICHE**

- configurazione: unipolare
- contatti: 1 contatto femmina a barra
- tensione di lavoro: 1'800 Vcc
- tensione di prova: 5'000 Vca 50 Hz - 60 sec
- portata massima: 800 A a 20°C
- temperatura di esercizio: (-40 ÷ +100)°C
- tenuta ambientale (connettore accoppiato): IP 67

**3) MATERIALI E TRATTAMENTI PROTETTIVI**

Contatti:

- lega di rame
- trattamento di argentatura (G10)

Inserti:

- resina termoplastica (UL 94: V0 NFF 16-102: I2F3 esigenza 3)

Guarnizioni:

- gomma neoprene

Parti metalliche:

- lega di alluminio
- elettrodeposizione di vernice nera (F6)
- ossidazione anodica (G14)

**1) KIND OF CONNECTOR**

- single pole front panel mounting receptacle, high current rating, with rapid bayonet joint.
- contact with bar type rear termination

**2) TECHNICAL CHARACTERISTICS**

- arrangement: single pole
- contacts: 1 socket bar contact
- working voltage: 1'800 Vdc
- test voltage: 5'000 Vac RMS at 50 Hz 60 sec
- max. current rating: 800 A at 20°C
- working temperature: (-40 ÷ +100)°C
- IP rating (coupled connector): IP 67

**3) MATERIAL AND FINISH**

Contacts:

- copper alloy
- silver plating (G10)

Inserts:

- thermoplastic resin (UL 94: V0 NFF 16-102: I2F3 exigence 3)

Gaskets:

- neoprene rubber

Metallic parts:

- aluminium alloy
- electrodeposition of black paint (F6)
- anodizing (G14)

COMPILATO / DONE

Firma *Zanetti*

Data 21/02/2011

CONTROLLATO / CHECKED

Firma *Stefano Vettori*

Date 21/02/2011

APPROVATO / APPROVED

Firma

Date 21/02/2011



Connettore da fronte pannello

Front panel mounting receptacle

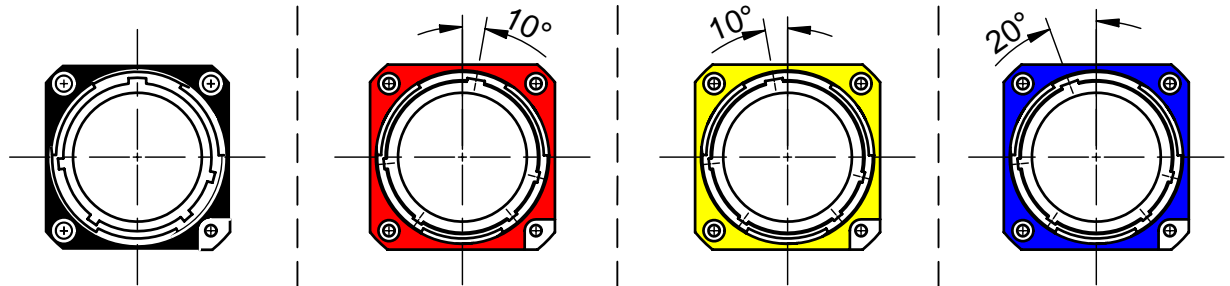
**P.N.: SEE RELATED PAGE**

N° SPC / SPC N°	PAG. / PAGE
<b>1344</b>	<b>3/3</b>
CODICE / CODE	
<b>SEE RELATED PAGE</b>	
1ª EMISS. / 1st EMISS	FORM.
<b>29/05/2008</b>	<b>A4</b>

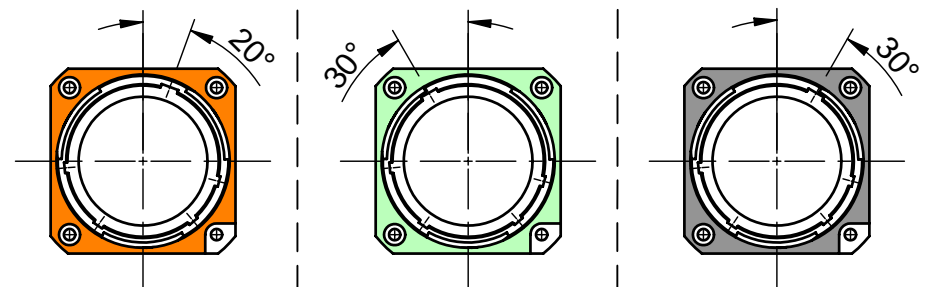
REV.	DEL / OF
<b>04</b>	<b>21/02/2011</b>

THIS COPYRIGHTED DOCUMENT IS THE PROPERTY OF GLENAIR, INC. AND IS FURNISHED ON THE CONDITION THAT IT IS NOT TO BE DISCLOSED, REPRODUCED IN WHOLE OR IN PART, OR USED TO SOLICIT QUOTATIONS FROM COMPETITIVE SOURCES, OR USED FOR MANUFACTURE BY ANYONE OTHER THAN GLENAIR, INC. WITHOUT WRITTEN PERMISSION FROM GLENAIR, INC. THE INFORMATION HEREIN HAS BEEN DEVELOPED AT GLENAIR'S EXPENSE AND MAY BE USED FOR ENGINEERING EVALUATION AND INCORPORATION INTO TECHNICAL SPECIFICATIONS AND OTHER DOCUMENTS WHICH SPECIFY REQUIREMENT OF PRODUCTS FROM GLENAIR, INC.

TYPE	N	L1	L2	L3
TIPO				
COLOUR	BLACK	RED	YELLOW	BLUE
COLORE	NERO	ROSSO	GIALLO	BLU
P/N WITH PIN CONTACT	ITS50002BPFTNTMCG1G14	ITS50002BPFTL1TMCG1G14R	ITS50002BPFTL2TMCG1G14Y	ITS50002BPFTL3TMCG1G14B
CODE	7001344100	7001344111	7001344122	7001344133
P/N WITH SOCKET CONTACT	ITS50002BSFTNTMCG1G14	ITS50002BSFTL1TMCG1G14R	ITS50002BSFTL2TMCG1G14Y	ITS50002BSFTL3TMCG1G14B
CODE	7001344000	7001344001	7001344002	7001344003



TYPE	Pe	+	-
TIPO			
COLOUR	ORANGE	LIGHT GREEN	GREY
COLORE	ARANCIONE	VERDE CHIARO	GRIGIO
P/N WITH PIN CONTACT	ITS50002BPFTPETMCG1G14OR	ITS50002BPFTPLTMCG1G14LG	ITS50002BPFTMITMCG1G14G
CODE	7001344144	7001344155	7001344166
P/N WITH SOCKET CONTACT	ITS50002BSFTPETMCG1G14OR	ITS50002BSFTPLTMCG1G14LG	ITS50002BSFTMITMCG1G14G
CODE	7001344004	7001344005	7001344006



COMPILATO / DONE	CONTROLLATO / CHECKED	APPROVATO / APPROVED
Firma <i>Zanetti</i> Data 21/02/2011	Firma <i>Stefano Vettori</i> Data 21/02/2011	Firma _____ Data _____
Sign _____ Date 21/02/2011	Sign _____ Date 21/02/2011	Sign _____ Date 21/02/2011